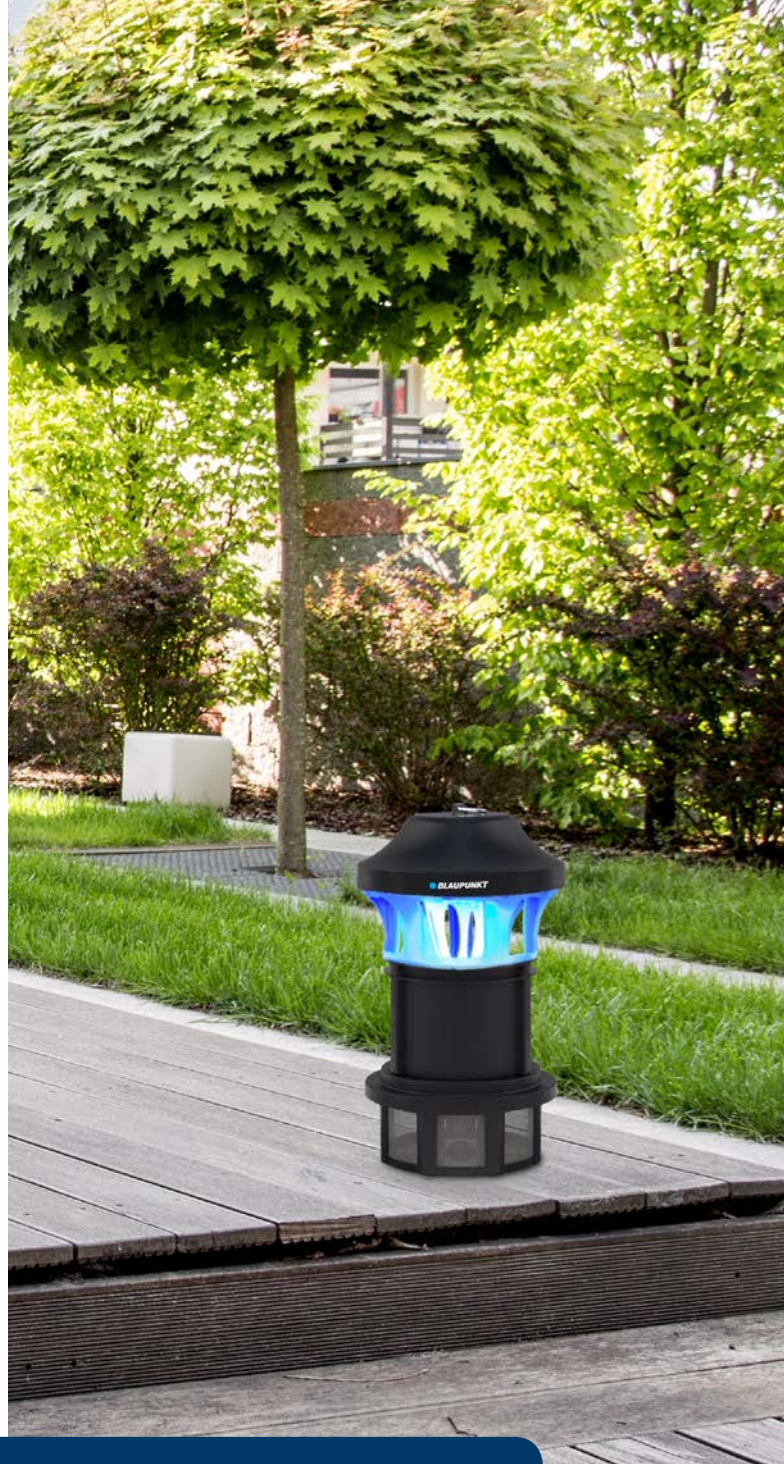


BLAUPUNKT



Enjoy it.

Insect killers

Insect killers

Blaupunkt presents **the most efficient insect killers ever made**, a revolution in the control of flying insects. Insects are not only unpleasant, but they can be pernicious for in-house hygiene and may be a vector for diseases. Climate change may also cause exotic insect species like the tiger mosquito to migrate to our regions.

The Blaupunkt insect killers feature the best of existing technologies combined with the newest. **High-quality materials, a timeless design and craftsmanship** are some of the qualities which make Blaupunkt one of the most well-known and popular German brands. With this range of insect killers, Blaupunkt will stand up to its good reputation.

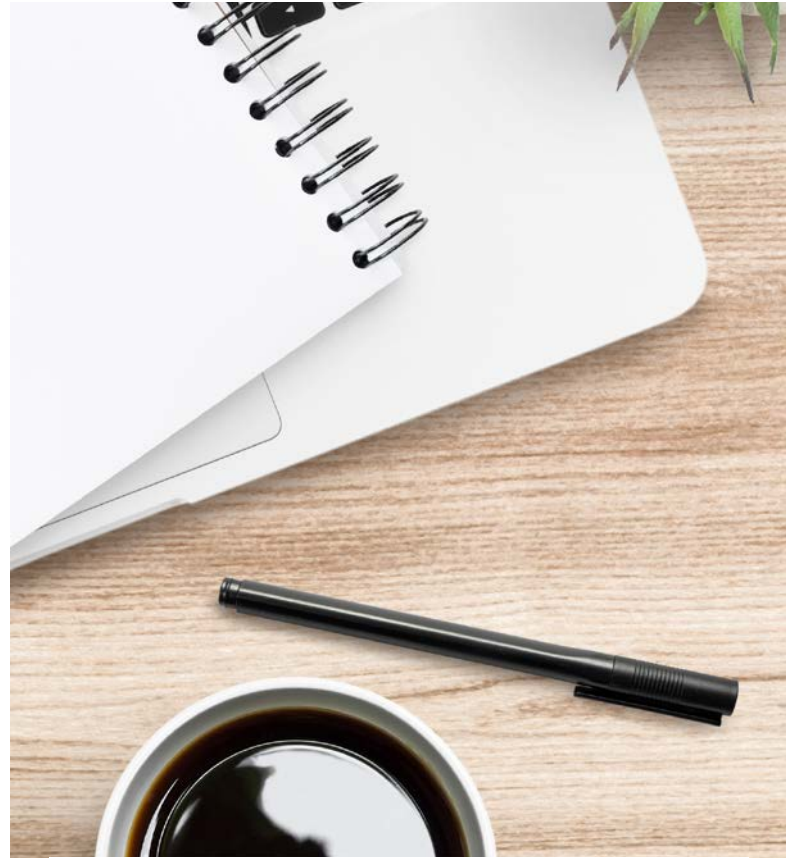
DOUBLE EFFICIENCY

Insects are, depending on the insect killer model, **eliminated by electrocution or dehydration**.

Elimination by **electrocution** is done through a 4000 V grid. UV light will attract insects towards the appliance. As soon as they touch the grid, they will be electrocuted and fall inside the collecting tray.

Models using **dehydration** feature a fan. Similarly, the UV light will attract the insects. The fan will suck them into the collector where they will die of dehydration.

Electrocution or dehydration? Both technologies are very efficient for controlling flying insects.



Enjoy it.



Content

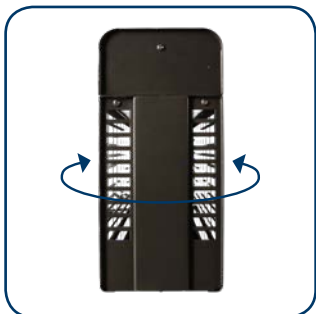
Electrocution

Indoor 4

Dehydration

Indoor 6

Outdoor 12



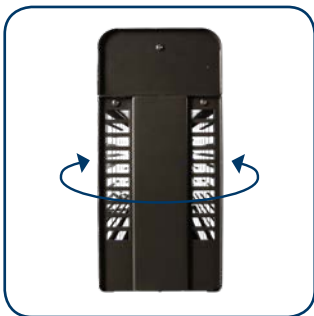
INSECT KILLER LED

METAL HOUSING - 150 m²

BP-GIKLED05

- removable collection tray for easy cleaning
- full metal construction for durable use
- 360 degree attraction for more efficiency
- LED light source reduces power consumption
- hanging chain for suspension
- light strip on two sides reflects UV-A LED light for higher attraction rate
- indoor use only
- on/off switch
- safety sensor: the device stops working automatically when the collection tray is being removed
- effective area: 150 m²
- IP rating: IPX0
- wavelength: 365 nm (+/-5 nm)
- light source: 16 x UV-A LED (not replaceable)
- average life time of the LED: 20.000 hours
- grid voltage: 4000 V
- protection class: I
- power supply: 220-240 V~ 50/60 Hz
- power consumption: 10 W
- material: metal body
- colour: metal grey
- weight: 2.33 kg
- dimensions: 350 x 120 x 260 mm





INSECT KILLER LED

METAL HOUSING - 250 m²

BP-GIKLED06

- removable collection tray for easy cleaning
- full metal construction for durable use
- 360 degree attraction for more efficiency
- LED light source reduces power consumption
- hanging chain for suspension
- light strip on two sides reflects UV-A LED light for higher attraction rate
- indoor use only
- on/off switch
- safety sensor: the device stops working automatically when the collection tray is being removed
- effective area: 250 m²
- IP rating: IPX0
- wavelength: 365 nm (+/-5 nm)
- light source: 20 x UV-A LED (not replaceable)
- average life time of the LED: 20.000 hours
- grid voltage: 4000 V
- protection class: I
- power supply: 220-240 V~ 50/60 Hz
- power consumption: 14 W
- material: metal body
- colour: metal grey
- weight: 3.11 kg
- dimensions: 505 x 120 x 260 mm







INSECT KILLER USB

30 m²



BP-GIKLED08

- combines UV light and a fan to attract insects
- metal removable collection tray
- low noise
- indoor use only
- effective area: 30 m²
- wavelength: 365 nm (+/- 5 nm)
- light source: LED UV (not replaceable)
- USB charger port: 5 VDC max. 1000 mA
- power consumption: 5 W
- material: PC - ABS - metal
- colour: black
- weight: 0.31 kg
- dimensions: 112 x 112 x 167 mm







INSECT KILLER USB

50 m²

BP-GIKLED09



- combines UV light and a fan to attract insects
- variable wavelength to attract more insects
- matte black stylish design
- metal removable collection tray

- indoor use only
- 2 working modes: strong (45 dB) & quiet (20 dB)
- effective area: 50 m²
- wavelength: between 365 (+/-5) nm and 395 (+/-5) nm

- light source: LED UV (not replaceable)
- USB charger port: 5 VDC, max. 1000 mA
- power consumption: 5 W
- material: PC - ABS - metal

- colour: black
- weight: 0.46 kg
- dimensions: 130 x 140 x 223 mm





● BLAUPUNKT



INSECT KILLER WITH TIMER

60 m²

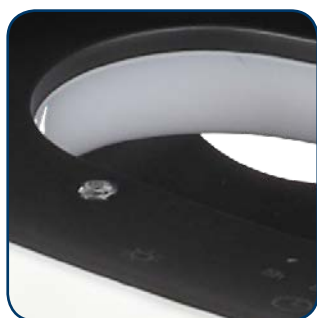
BP-GIKLED11

- combines UV light and a fan to attract insects
- variable wavelength to attract more insects
- modern white design
- indoor use only
- day/night light sensor

- automatic mode: the device automatically switches on/off depending on day light conditions
- adjustable brightness: low - bright (with button)
- removable collection tray for easy cleaning

- timer: 5 h - 8 h - 12 h
- effective area: 60 m²
- wavelength: between 365 (+/-5) nm and 395 (+/-5) nm
- light source: LED UV (not replaceable)
- power consumption: 6 W

- adaptor: 12 VDC, 1000 mA, 50/60 Hz, 0.4 A max.
- adaptor model: FJ-SW1261201000DE2
- material: PC - ABS
- colour: white
- weight: 1.24 kg
- dimensions: 225 x 250 x 130 mm







INSECT KILLER

OUTDOOR USE - 250 m²

BP-GIK03

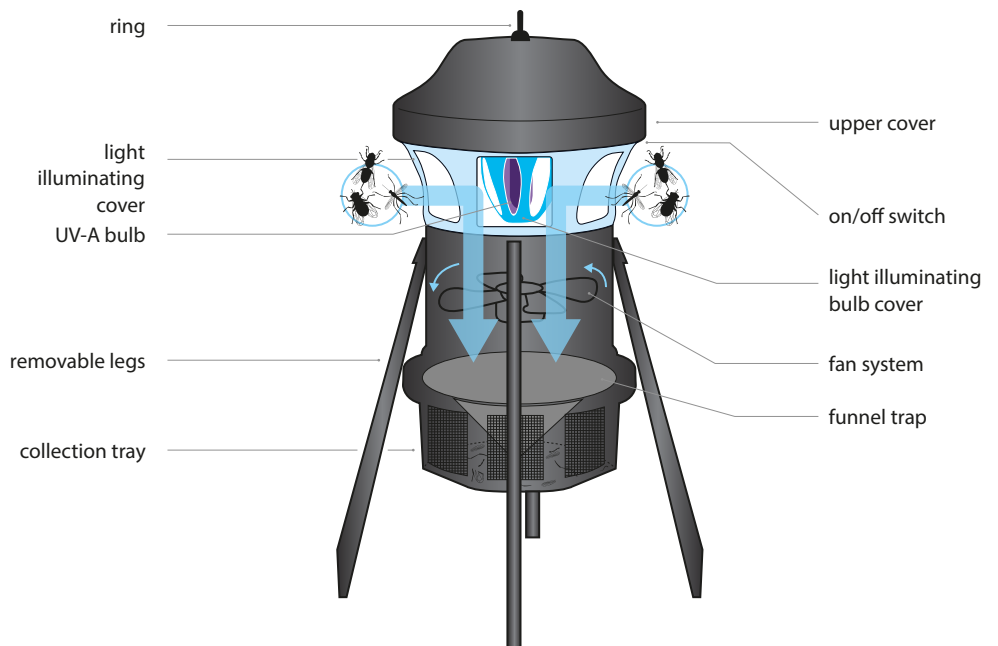


- reflective plastic for maximum attraction rate
- combines UV light and a fan to attract insects
- removable collection tray for easy cleaning
- with DIY bait tray

- free standing or hanging
- with removable legs
- metal hanging ring
- patent design
- effective area: 250 m²
- IP rating: IPX4
- wavelength: 365 nm

- light source: 7 W 2U BLB (not replaceable)
- average lifetime of lamp: 8000 hours
- fan speed: 2000 rpm
- power supply: 220-240 V~ 50/60 Hz

- power consumption: 9 W
- material: fire resistant ABS
- colour: black
- weight: 1.32 kg
- dimensions:
 - body: 215 x 215 x 320 mm
 - removable legs: 27 cm







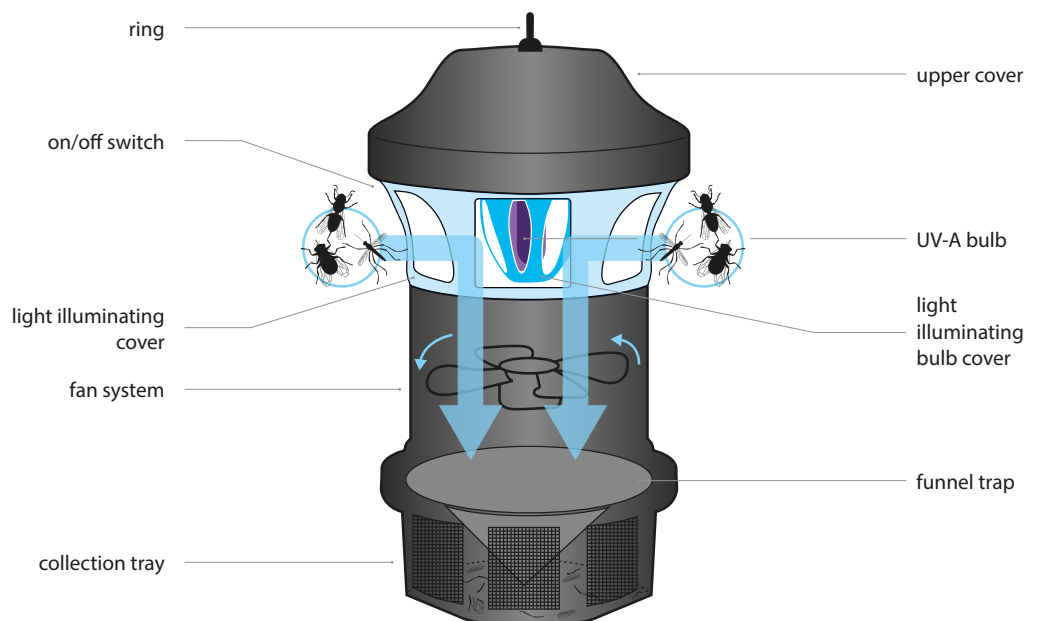
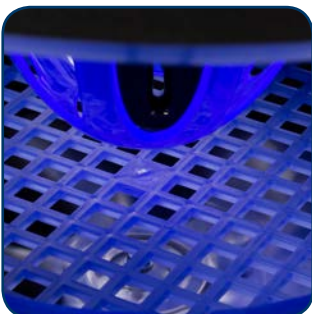
INSECT KILLER

OUTDOOR USE - 750 m²



BP-GIK04

- reflective plastic for maximum attraction rate
- combines UV light and a fan to attract insects
- removable collection tray for easy cleaning
- with anti-escape trap
- free standing or hanging
- metal hanging ring
- on/off switch
- patent design
- effective area: 750 m²
- IP rating: IPX4
- wavelength: 365 nm
- light source: 25 W E27 3U BLB (not replaceable)
- average lifetime of lamp: 8000 hours
- fan speed: 1300 rpm
- power supply: 220-240 V~ 50/60 Hz
- power consumption: 32 W
- material: fire resistant ABS
- colour: black
- weight: 3.78 kg
- dimensions: 320 x 320 x 580 mm



Enjoy it.

Velleman nv
Legen Heirweg 33
9890 Gavere
Belgium
www.velleman.eu
sales@velleman.eu
Tel: +32 (0)9 384 36 11 | Fax: +32 (0)9 389 93 35
www.blaupunkt.com

Misprints and printing errors reserved. All photos and texts can be changed without prior notice.
This publication replaces all previous editions. Responsible publisher: Velleman. © Velleman nv

